

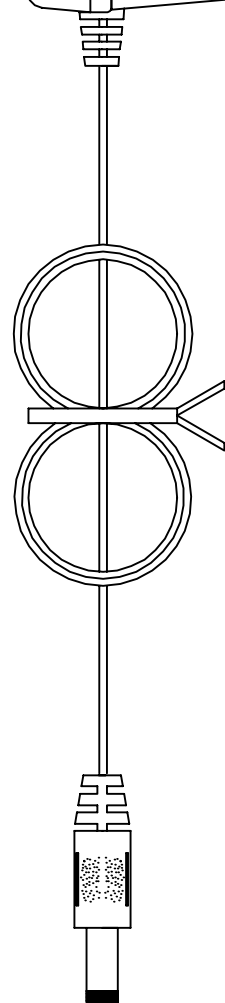
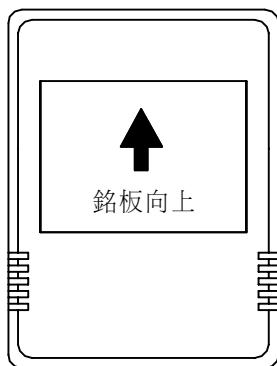
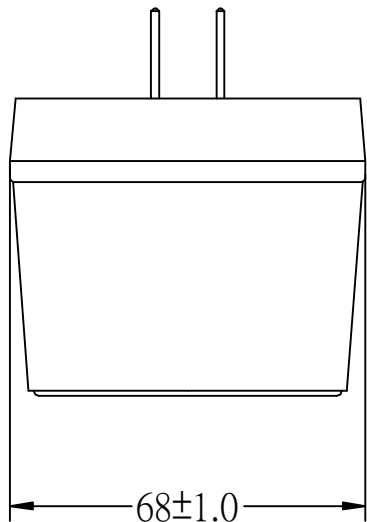
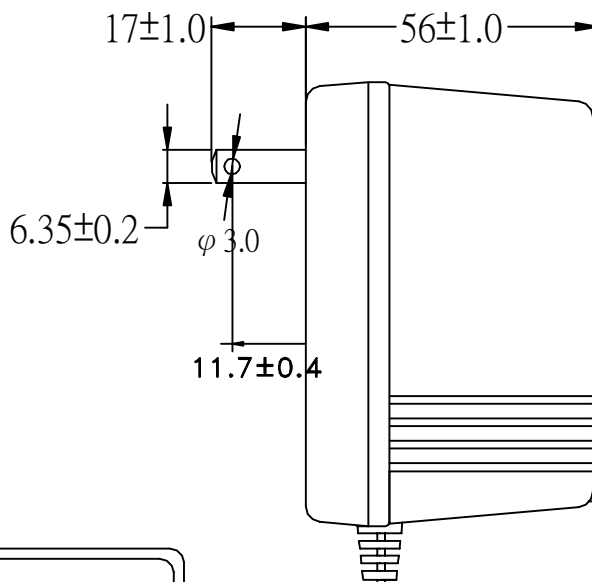
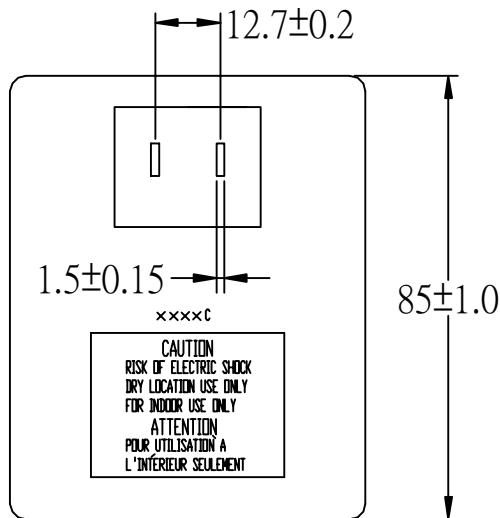
MODEL NO.

DESIGNED NO.

DATE

MAR.22.2012

UNIT:mm



DATE CODE:

XX XX X
↓ ↓ ↓
Month Year C or S

57標扁式

EXAMINED BY:



CHECKED BY:

LIST BY:陸鳳春