

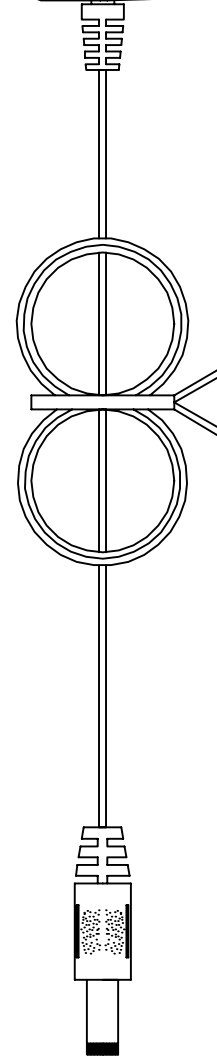
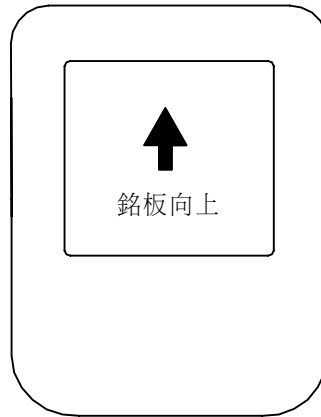
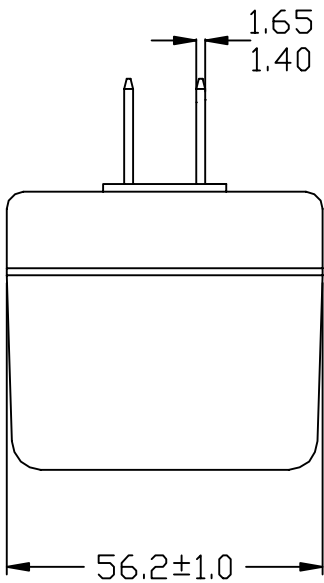
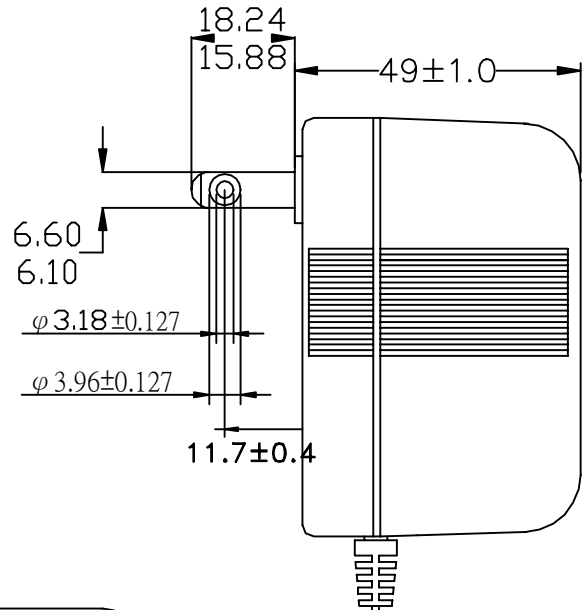
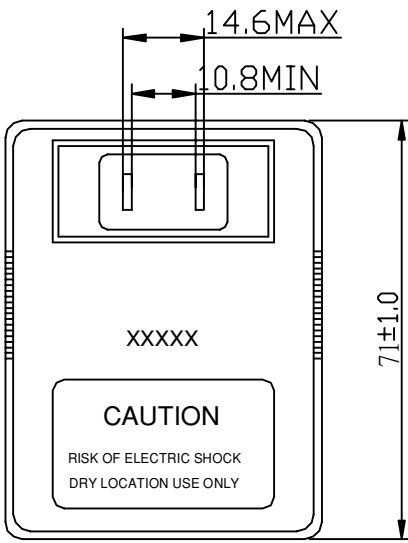
MODEL NO.

DESIGNED NO.

DATE

MAR.22.2012

UNIT:mm



DATE CODE

XX XX X

month

year

C

or

k

kunshan hon-kwang

shen zhen hon-kwang

48弧背插銷式

EXAMINED BY:



CHECKED BY:

LIST BY:陸鳳春