

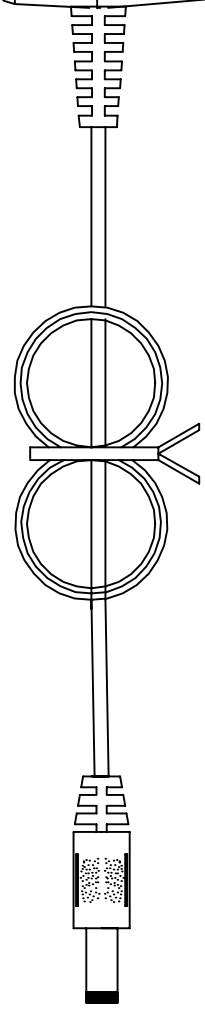
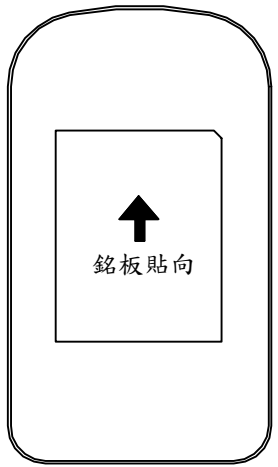
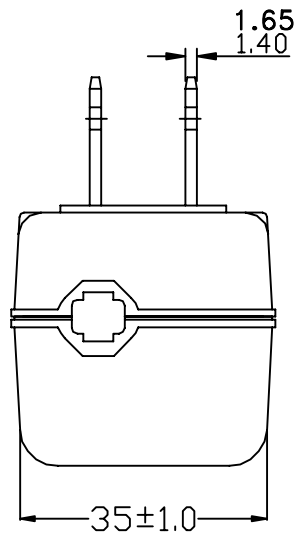
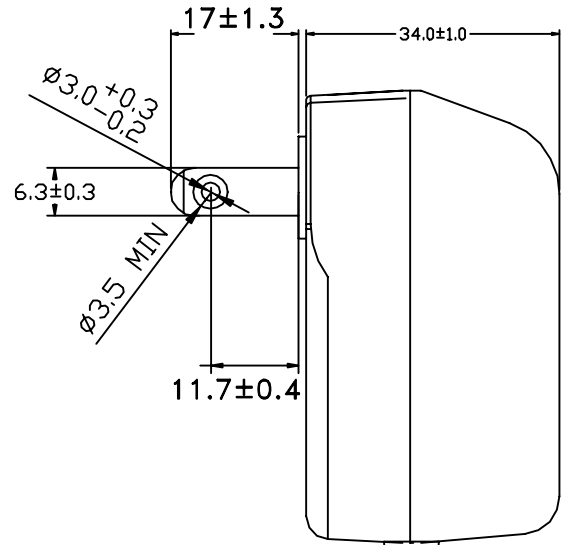
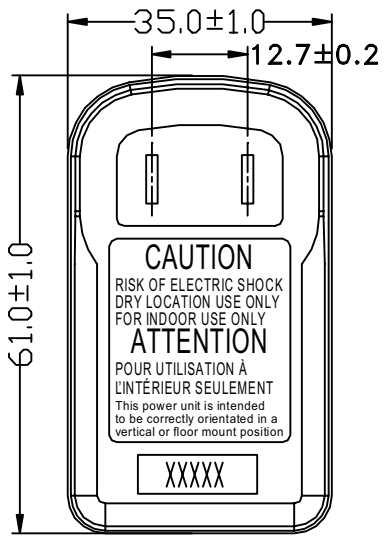
MODEL NO.

DESIGNED NO.

DATE

MAR.22.2012

UNIT:mm



DATE CODE

×××× ×  
month year C or K

shen zhen hon-kwang  
kun shan hon-kwang

28子彈頭插銷式

EXAMINED BY:

副理  
2012-03-22  
左一甫

CHECKED BY:

LIST BY:陸鳳春