

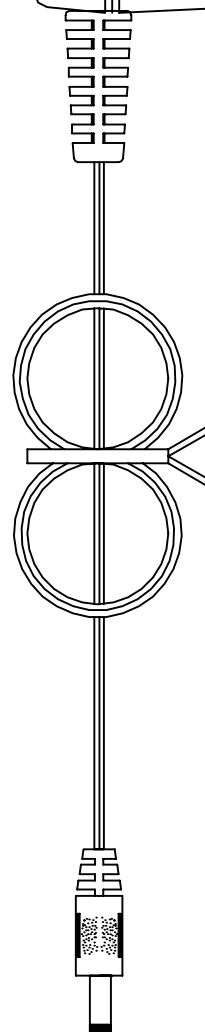
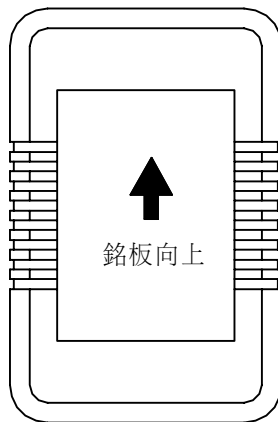
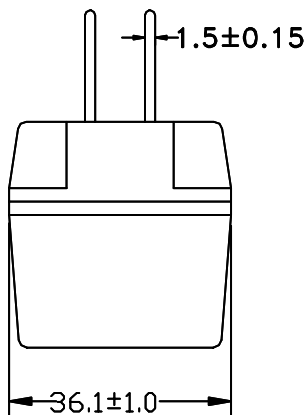
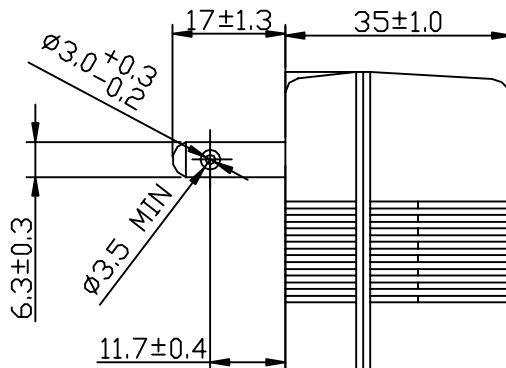
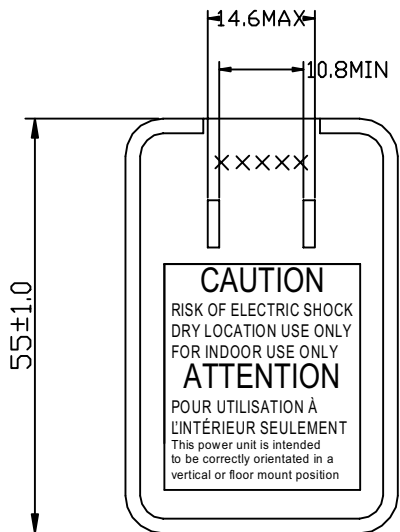
MODEL NO.

DESIGNED NO.

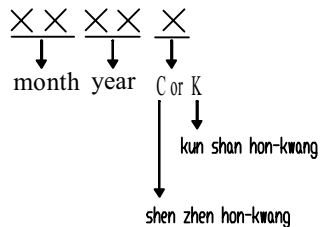
DATE

MAR.22.2012

UNIT:mm



DATE CODE:



28平插式

EXAMINED BY:



CHECKED BY:

LIST BY:陸鳳春